

Commercial Thermostat Submittal Data

English Language/I-P Units



Rev.: 03/31/06D



SUBMITTAL DATA

Unit Designation: _____

Job Name: _____

Architect: _____

Engineer: _____

Contractor: _____

ClimateMaster works continually to improve its products. As a result, the design and specifications of each product at the time of order may be changed without notice and may not be as described herein. Please contact ClimateMaster's Customer Service Department at 1-405-745-6000 for specific information on the current design and specifications. Statements and other information contained herein are not express warranties and do not form the basis of any bargain between the parties, but are merely ClimateMaster's opinion or commendation of its products. The latest version of this document is available at www.climatemaster.com.



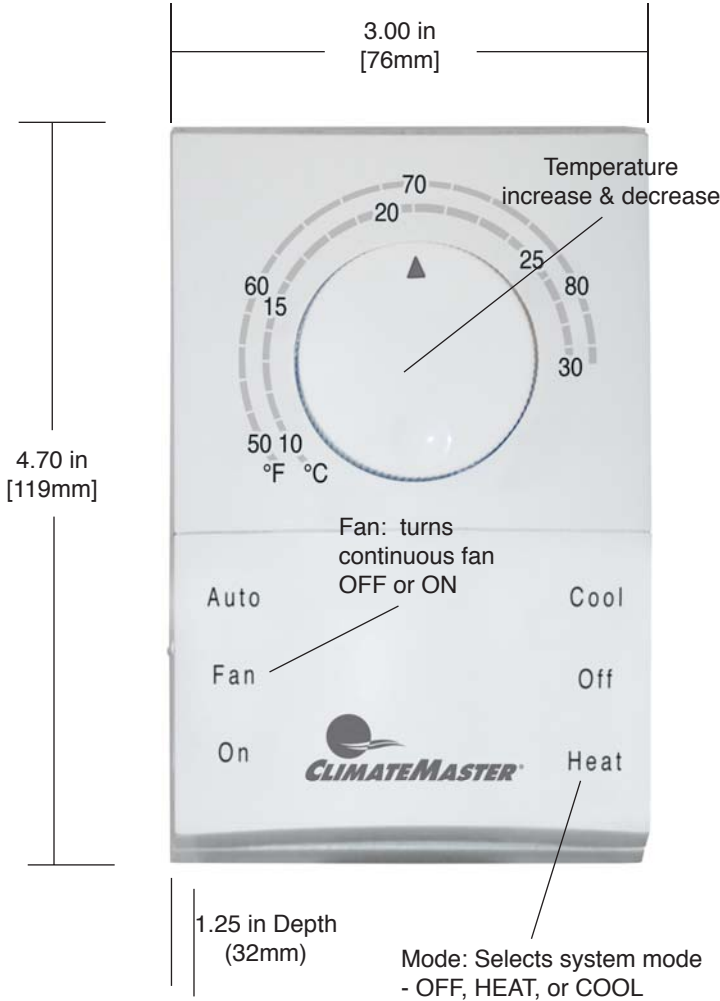
LC204

Rev.: 03/31/06D



ATM11C01

One Heat / One Cool
Manual Changeover
Non-Programmable



Application:

The ATM11C01 thermostat provides single-stage, non-programmable temperature control for 24V water-source heat pump systems.

Features:

- Color: White
- Integral switches control system and fan mode.
- Vented cover for improved temperature sensing.
- Mount directly on wall or vertical outlet box using mounting plate.
- Electronic sensing (no mercury bulb or bi-metal switching).

Specifications:

Electrical Rating:

- Voltage 20 to 30 VAC
- Heating: 0.18 to 1.0A at 30VAC maximum.
- Cooling: 1.5A running, 7.5A inrush at 25 VAC.

Temperature Settings:

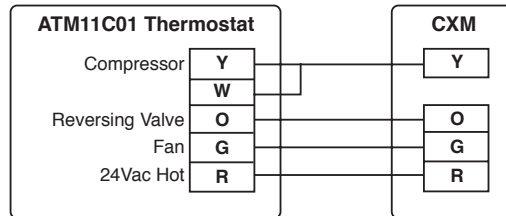
- Scale Range: 50°F to 90°F (10°C to 32°C).

Switching Action:

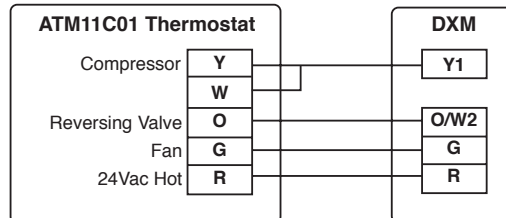
- Accurate electronic sensing/switching.
- 4-wire control of heating/cooling/reversing valve.

Wiring:

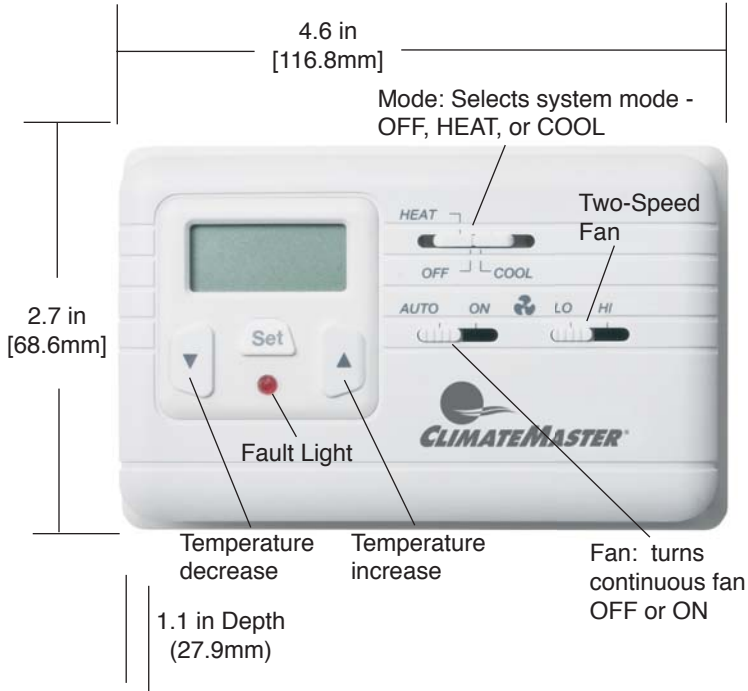
Connection to CXM Control



Connection to DXM Control



Thermostat Submittal Data Eng./I-P



ATM11C03

One Heat / One Cool
Manual Changeover
Non-Programmable
With Remote Sensor & Two-Speed
Fan Control

Specifications:

Electrical Rating:

- Input Power: 18 to 30 Vac, 50/60 Hz.

Temperature Settings:

- Setpoint Range: 50°F to 90°F [10°C to 32°C].
- The default setpoint for heating is 70°F [21°C] and for cooling is 74°F [23°C]. Press the ▲ or ▼ keys to change the setting. To change between heat and cool settings, press the mode key until the setting to be changed appears.

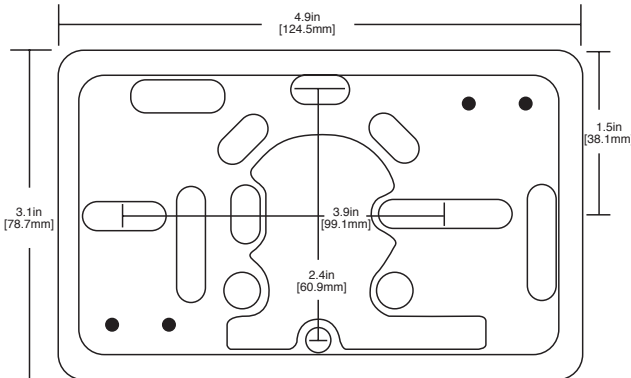
Display Range:

- Display Updates: Updated every 12 seconds.
- Differential (autochangeover model): 3°F [1.5°C] minimum.

Output Ratings:

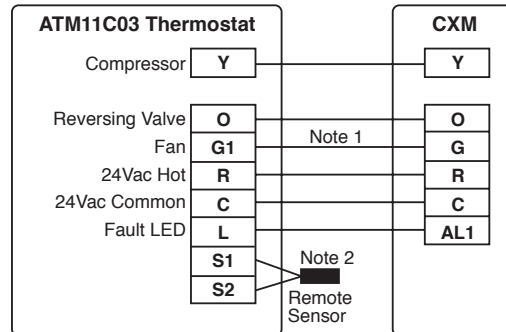
- Maximum current for each output is 1 Amp.

Mounting:

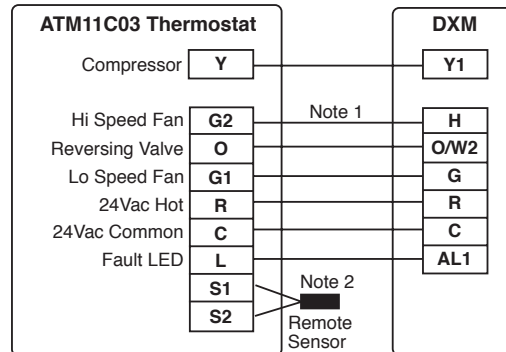


Wiring:

Connection to CXM Control



Connection to DXM Control



Note 1: Two speed fan selection switch is only operable with DXM board and units with PSC fan motor. DXM board must be configured (DIP 2.7 in "OFF" position) for high speed fan. This feature is typically used for console and vertical stack units. This thermostat will work with the CXM board, but the two-speed feature will not control the fan.

Note 2: Remote sensor is shipped with thermostat. When remote sensor is not used, internal jumper must be reinstalled.

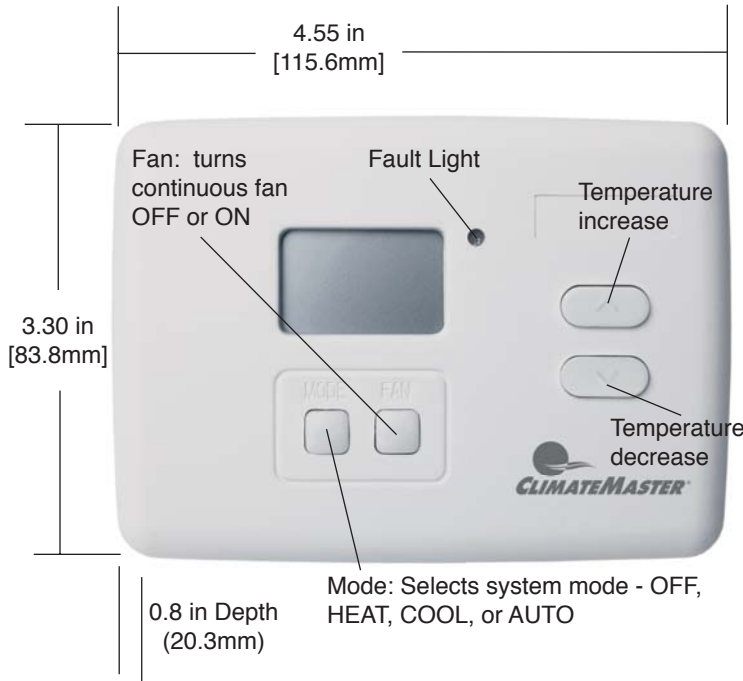
Application:

The ATM11C03 electronic thermostat provides single-stage, non-programmable temperature control for 24V water-source heat pump systems. Remote sensor is included.

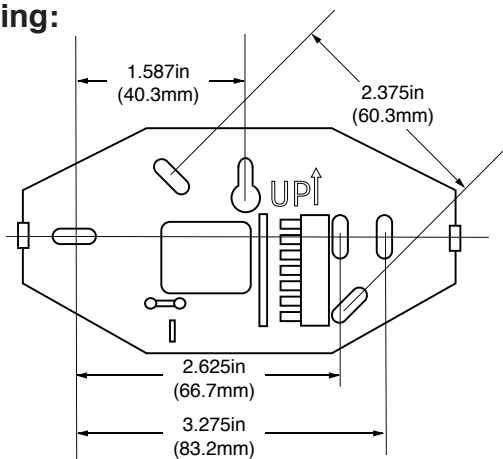
Features:

- Heat-Off-Cool System selections.
- Fan-On-Auto selections.
- High / Low fan speed switch.
- Remote temperature sensor included.
- °F or °C temperature display.
- Light emitting diode (LED) for alarm status.
- Installer setup options allow for customized applications.
- Zero temperature droop performance.
- Setpoints are permanently held in memory (no batteries used) and retained during power outages.
- Wall mounting plate.

Thermostat Submittal Data Eng./I-P



Mounting:



Application:

The ATA11U01 electronic thermostat provides single-stage, non-programmable temperature control for 24V water-source heat pump systems.

Features:

- Heat-Off-Cool-Auto System selections.
- Fan-On-Auto selections.
- °F or °C temperature display.
- Configurable automatic or manual changeover operation.
- Light emitting diode (LED) for alarm status.
- Installer setup options allow for customized applications.
- Zero temperature droop performance.
- Temperature display adjustment feature provides display offset for custom applications.
- Setpoints are permanently held in memory (no batteries used) and retained during power outages.

ATA11U01

One Heat / One Cool
Auto / Manual Changeover
Non-Programmable

Features (cont.):

- Extended fan operation feature can be used to operate fan for 90 seconds after “Y” turns off.
- Setup feature allows either “current room temp” or the “current setpoint” to be displayed.
- Optional safety setpoints ensure that heating and cooling will occur even if thermostat is in “Off” mode.
- Backplate wiring for easy installation.

Specifications:

Electrical Rating:

- Input Power: 18 to 30 Vac, 50/60 Hz.

Temperature Settings:

- Setpoint Range: 50°F to 90°F [10°C to 32°C].
- The default setpoint for heating is 70°F [21°C] and for cooling is 74°F [23°C]. Press the ▲ or ▼ keys to change the setting. To change between heat and cool settings, press the mode key until the setting to be changed appears.

Display Range:

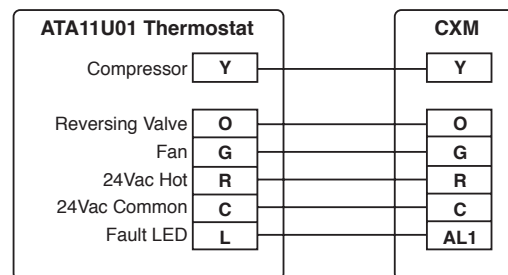
- Display Updates: Updated every 12 seconds.
- Differential (autochangeover model): 3°F [1.5°C] minimum.

Output Ratings:

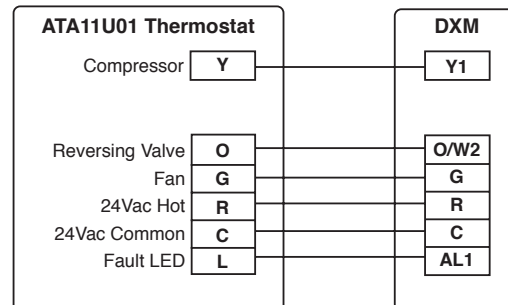
- Maximum current for each output is 1 Amp.

Wiring:

Connection to CXM Control

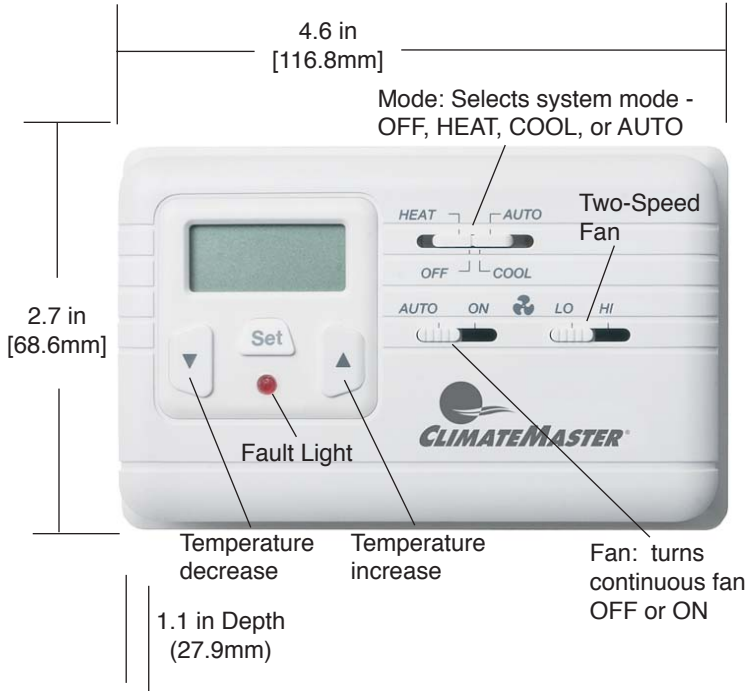


Connection to DXM Control

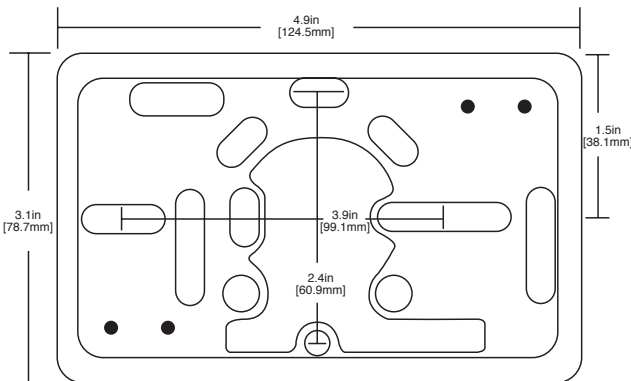


ClimateMaster works continually to improve its products. As a result, the design and specifications of each product at the time of order may be changed without notice and may not be as described herein. Please contact ClimateMaster's Customer Service Department at 1-405-745-6000 for specific information on the current design and specifications. Statements and other information contained herein are not express warranties and do not form the basis of any bargain between the parties, but are merely ClimateMaster's opinion or commendation of its products. The latest version of this document is available at www.climatemaster.com.

Thermostat Submittal Data Eng./I-P



Mounting:



Application:

The ATA11C04 electronic thermostat provides single-stage, non-programmable temperature control for 24V water-source heat pump systems. Remote sensor is included.

Features:

- Heat-Off-Cool-Auto System selections.
- Fan-On-Auto selections.
- High / Low fan speed switch.
- Remote temperature sensor included.
- °F or °C temperature display.
- Configurable automatic or manual changeover operation.
- Light emitting diode (LED) for alarm status.
- Installer setup options allow for customized applications.
- Zero temperature droop performance.
- Setpoints are permanently held in memory (no batteries used) and retained during power outages.

ATA11C04

One Heat / One Cool

Auto / Manual Changeover

Non-Programmable

With Remote Sensor & Two-Speed Fan Control

Features (cont.):

- Wall mounting plate.

Specifications:

Electrical Rating:

- Input Power: 18 to 30 Vac, 50/60 Hz.

Temperature Settings:

- Setpoint Range: 50°F to 90°F [10°C to 32°C].
- The default setpoint for heating is 70°F [21°C] and for cooling is 74°F [23°C]. Press the ▲ or ▼ keys to change the setting. To change between heat and cool settings, press the mode key until the setting to be changed appears.

Display Range:

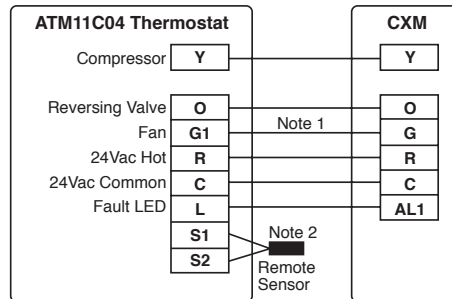
- Display Updates: Updated every 12 seconds.
- Differential (autochangeover model): 3°F [1.5°C] minimum.

Output Ratings:

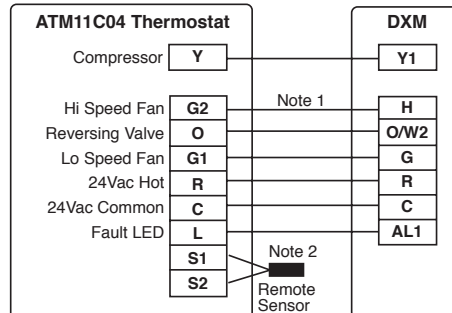
- Maximum current for each output is 1 Amp.

Wiring:

Connection to CXM Control



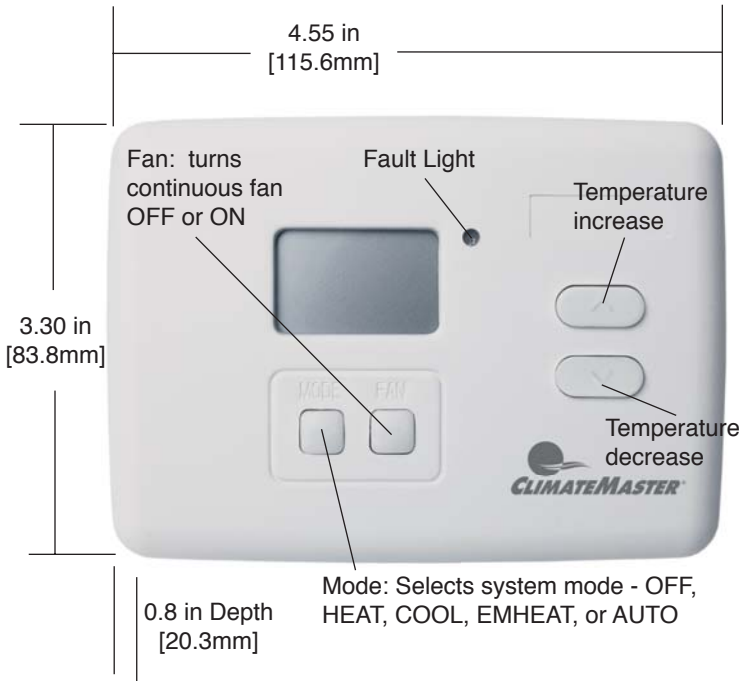
Connection to DXM Control



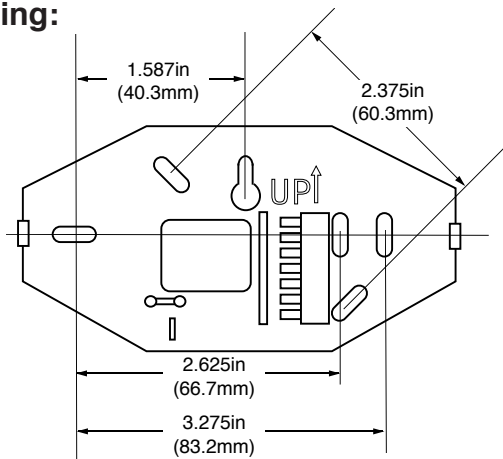
Note 1: Two speed fan selection switch is only operable with DXM board and units with PSC fan motor. DXM board must be configured (DIP 2.7 in "OFF" position) for high speed fan. This feature is typically used for console and vertical stack units. This thermostat will work with the CXM board, but the two-speed feature will not control the fan.

Note 2: Remote sensor is shipped with thermostat. When remote sensor is not used, internal jumper must be reinstalled.

Thermostat Submittal Data Eng./I-P



Mounting:



Application:

The ATA22U01 electronic thermostat provides two-stage, non-programmable temperature control for 24V water-source heat pump systems.

Features:

- Heat-Off-Cool-Em Heat-Auto System selections.
- Fan-On-Auto selections.
- °F or °C temperature display.
- Configurable automatic or manual changeover operation.
- Light emitting diode (LED) for alarm status.
- Installer setup options allow for customized applications.
- Zero temperature droop performance.
- Temperature display adjustment feature provides display offset for custom applications.
- Setpoints are permanently held in memory (no batteries used) and retained during power outages.

ATA22U01

Two Heat / Two Cool
Auto / Manual Changeover
Non-Programmable

Features (cont.):

- Extended fan operation feature can be used to operate fan for 90 seconds after “Y” turns off.
- Setup feature allows either “current room temp” or the “current setpoint” to be displayed.
- Optional safety setpoints ensure that heating and cooling will occur even if thermostat is in “Off” mode.
- Backplate wiring for easy installation.
- Automatic fan staging (when used with DXM board and direct drive motor).

Specifications:

Electrical Rating:

- Input Power: 18 to 30 Vac, 50/60 Hz.

Temperature Settings:

- Setpoint Range: 50°F to 90°F [10°C to 32°C].
- The default setpoint for heating is 70°F [21°C] and for cooling is 74°F [23°C]. Press the ▲ or ▼ keys to change the setting. To change between heat and cool settings, press the mode key until the setting to be changed appears.

Display Range:

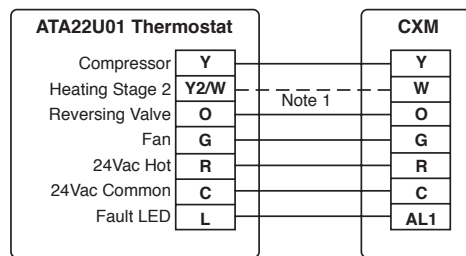
- Display Updates: Updated every 12 seconds.
- Differential (autochangeover model): 3°F [1.5°C] minimum.

Output Ratings:

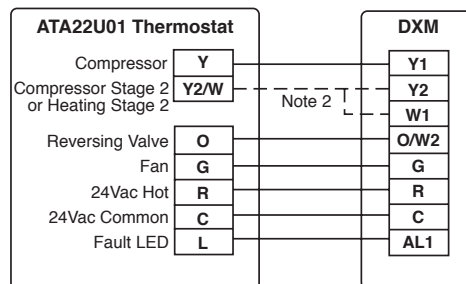
- Maximum current for each output is 1 Amp.

Wiring:

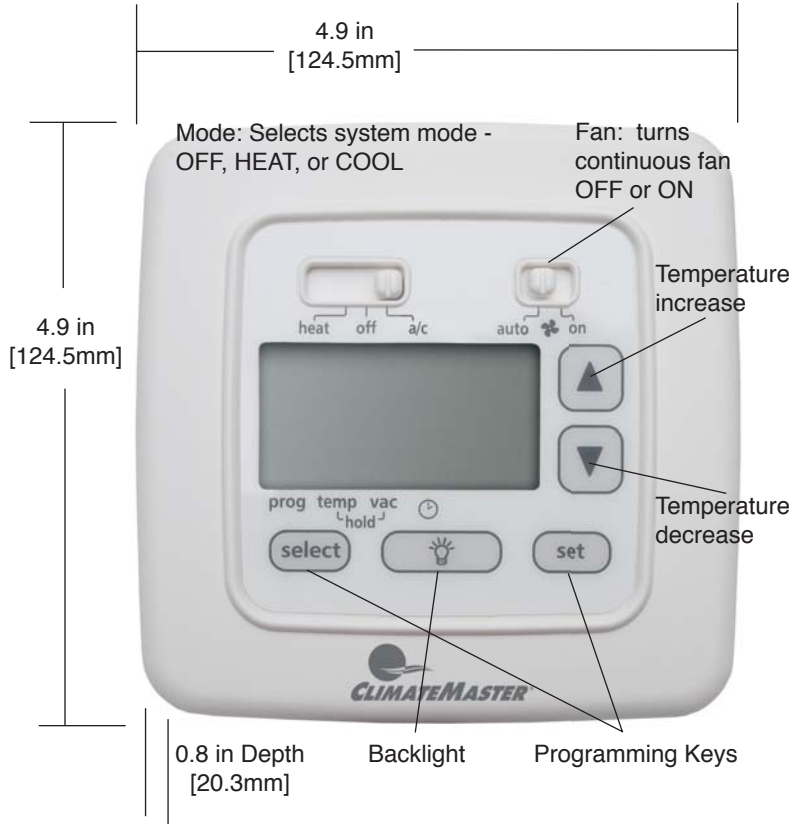
Connection to CXM Control



Connection to DXM Control



Thermostat Submittal Data Eng./I-P



ATP11N01

One Heat / One Cool
Manual Changeover
Programmable

Features (cont.):

- Individual heat and cool set points.
- Accurate digital performance.
- Manual changeover operation.
- Convenient override allows temporary set point change.
- Set points are permanently held in memory (no batteries used) and retained during power outages.
- Backlit LCD display.

Specifications:

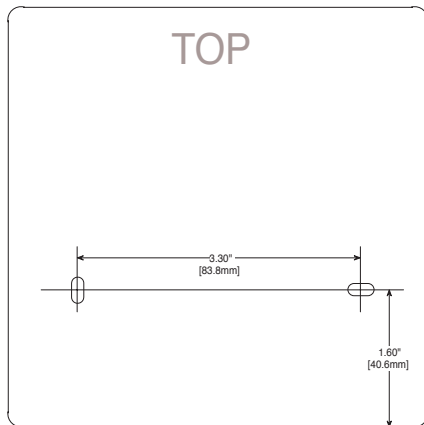
Electrical Rating:

- Input Power: 18 to 30 VAC, 50/60 Hz.

Temperature Settings:

- Set point range: 45°F to 90°F [7°C to 32°C].
- The default (Energy Star) set point ranges are as follows:
6:00 AM 78°F cool / 68°F heat
8:00 AM 85°F cool / 60°F heat
5:00 PM 78°F cool / 68°F heat
10:00 PM 82°F cool / 60°F heat
- Press the ▲ or ▼ keys to change the temperature setting. The SELECT and SET keys allow changes to the program and schedule.

Mounting:



Application:

The ATP11N01 Thermostat provides 1 stage heating, 1 stage cooling, and programmable temperature control of 24V water-source heat pump equipment. Programming schedule includes one schedule for the five week days, one schedule for the two weekend days and four periods per day (5/2/4).

Features:

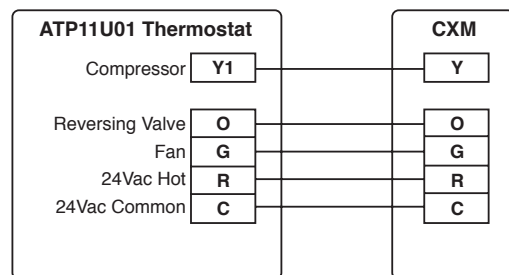
- 5-day/2-day programming.
- Four periods per day.
- °F or °C temperature display.

Output Ratings:

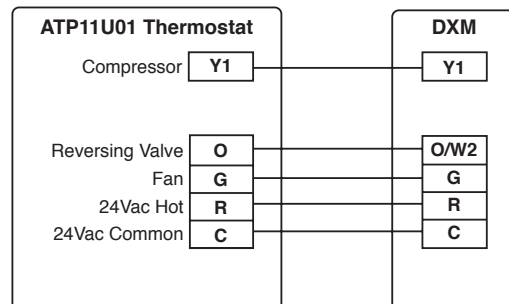
- Maximum current for each output is 1 Amp (3 Amp total max.).

Wiring:

Connection to CXM Control*



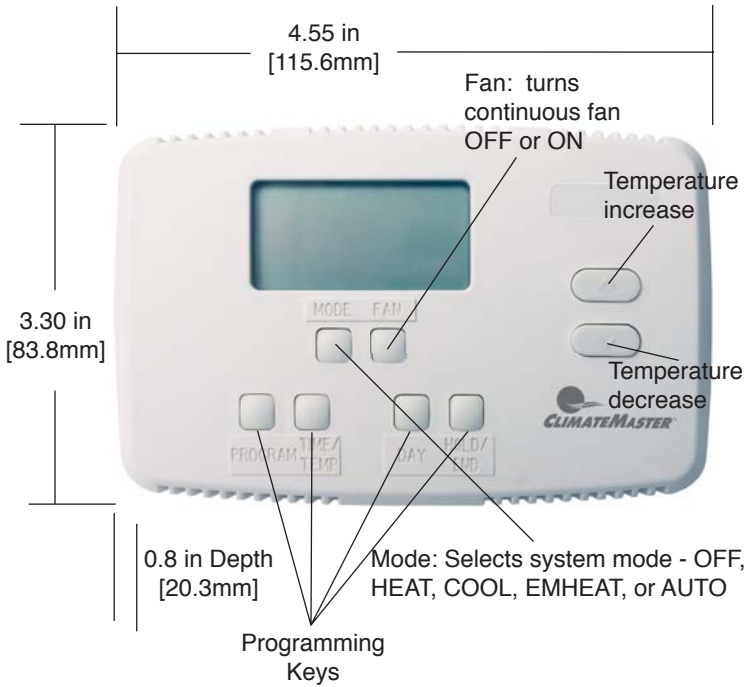
Connection to DXM Control*



*Note: Make sure the HP switch is in the HP position. When switched to HP mode, W1 is connected internally to Y1.

ClimateMaster works continually to improve its products. As a result, the design and specifications of each product at the time of order may be changed without notice and may not be as described herein. Please contact ClimateMaster's Customer Service Department at 1-405-745-6000 for specific information on the current design and specifications. Statements and other information contained herein are not express warranties and do not form the basis of any bargain between the parties, but are merely ClimateMaster's opinion or commendation of its products. The latest version of this document is available at www.climatemaster.com.

Thermostat Submittal Data Eng./I-P



ATP21U01

Two Heat / One Cool
Auto / Manual Changeover
Programmable

Features (cont.):

- Zero temperature droop performance.
- Automatic (program mode) or manual changeover.
- Convenient overrides allow temporary set point changes.
- Set points are permanently held in memory (no batteries used) and retained during power outages.
- Room temperature offset adjustment.
- Back-plate wiring connections for easy installation.

Specifications:

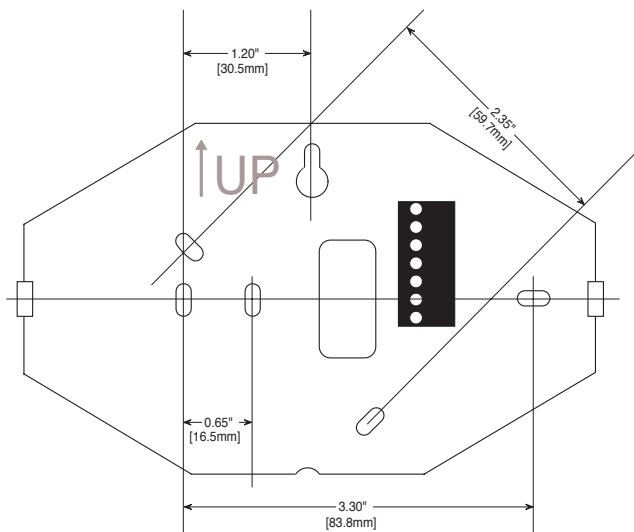
Electrical Rating:

- Input Power: 18 to 30 VAC, 50/60 Hz

Temperature Settings:

- Set point range: 50°F to 90°F [10°C to 32°C]
- The default (Energy Star) set point ranges are as follows:
 - 6:00 AM 78°F cool / 68°F heat
 - 8:00 AM 85°F cool / 60°F heat
 - 5:00 PM 78°F cool / 68°F heat
 - 10:00 PM 82°F cool / 60°F heat
- Press the ▲ or ▼ keys to change the temperature setting. The MODE, PROGRAM and HOLD keys allow changes to the program and schedule.

Mounting:



Application:

The ATP21U01 Thermostat provides 2 stages heating, 1 stage cooling, and programmable temperature control of 24V water-source heat pump equipment. Programming schedule includes one schedule for the five week days, one schedule for the two weekend days and four periods per day (5/2/4).

Features:

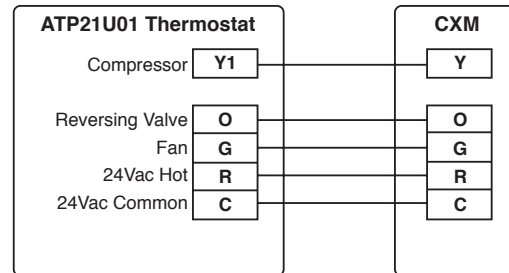
- 5-day/2-day programming.
- Four periods per day.
- °F or °C temperature display.
- Individual heat and cool set points.

Output Ratings:

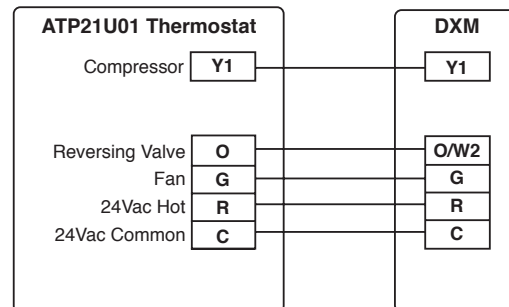
- Maximum current for each output is 1 Amp.

Wiring:

Connection to CXM Control

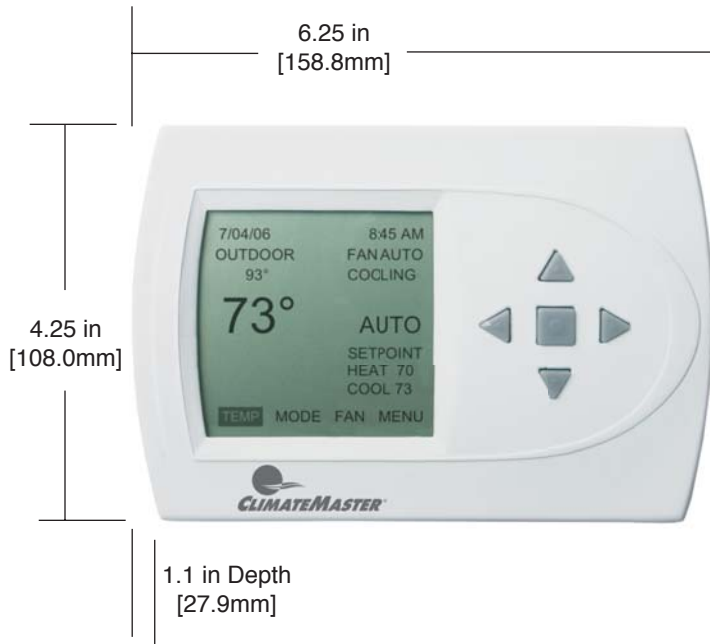


Connection to DXM Control



ClimateMaster works continually to improve its products. As a result, the design and specifications of each product at the time of order may be changed without notice and may not be as described herein. Please contact ClimateMaster's Customer Service Department at 1-405-745-6000 for specific information on the current design and specifications. Statements and other information contained herein are not express warranties and do not form the basis of any bargain between the parties, but are merely ClimateMaster's opinion or commendation of its products. The latest version of this document is available at www.climatemaster.com.

Thermostat Submittal Data Eng./I-P



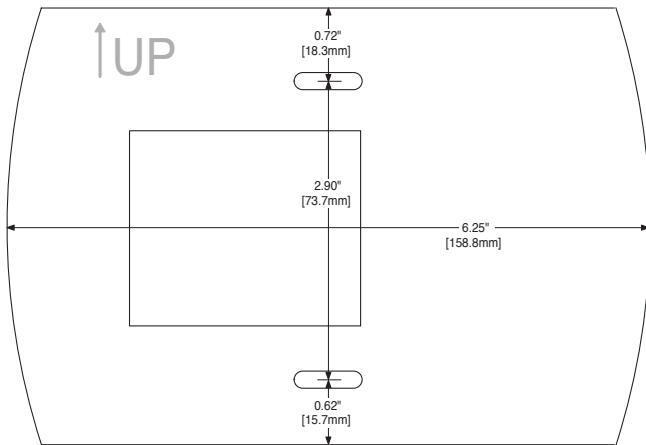
ATP32U01

Three Heat / Two Cool
Auto / Manual Changeover
Programmable (7 Day)

Features (cont.):

- Set points are permanently held in memory (no batteries used) and retained during power outages.
- Room temperature offset adjustment.
- Progressive Recovery anticipates the time required to bring the space temperature to the next programmed event, and brings on the heat pump accordingly.
- Large backlit dot matrix display is activated whenever a key is pressed and remains on for 25 seconds.
- Menu-driven programming with five navigation buttons (UP/DOWN/LEFT/RIGHT/SELECT) for ease of use.
- Fault indication with red backlight display.
- Configurable service interval messages and servicing contractor contact information.
- Keypad lockout.
- Back-plate wiring connections for easy installation.
- Exclusive fault identification (When used with CXM or DXM) displays fault from CXM/DXM board (e.g. condensate overflow) and suggests possible causes.
- Compatible with AST008 sensor for use as remote and/or outdoor sensor.
- Automatic fan staging (when used with DXM board and direct drive motor).

Mounting:



Specifications:

Electrical Rating:

- Input Power: 18 to 30 VAC, 50/60 Hz.

Operating Conditions:

- 32°F to 104°F [0°C to 40°C].
- 10% to 95% non-condensing.

Temperature Settings:

- Set point range: 40°F to 90°F [4°C to 32°C], +/- 2°F [1°C].

Output Ratings:

- Maximum current for each output is 1.0 Amp (2.0 max. output total).

Application:

The ATP32U01 Thermostat provides 3 stages heating, 2 stages of cooling, and programmable temperature control of 24V water-source heat pump equipment.

Features:

- 7-day programming.
- Four periods per day.
- °F or °C temperature display
- 12 or 24 hour clock.
- Individual heat and cool set points.
- Zero temperature droop performance.
- Automatic (program mode) or manual (HOLD) operation.
- Convenient overrides allow temporary set point changes.

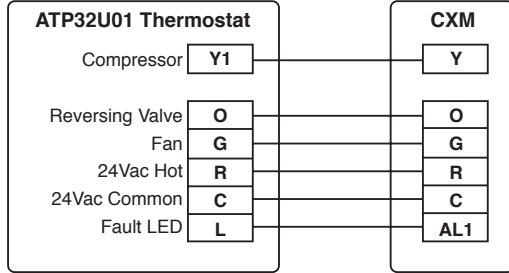
ClimateMaster works continually to improve its products. As a result, the design and specifications of each product at the time of order may be changed without notice and may not be as described herein. Please contact ClimateMaster's Customer Service Department at 1-405-745-6000 for specific information on the current design and specifications. Statements and other information contained herein are not express warranties and do not form the basis of any bargain between the parties, but are merely ClimateMaster's opinion or commendation of its products. The latest version of this document is available at www.climatemaster.com.



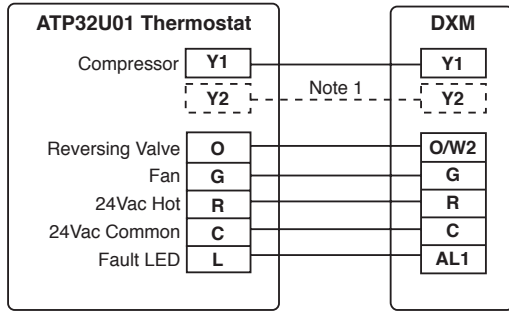
Wiring:

Single Stage Units

Connection to CXM Control



Connection to DXM Control



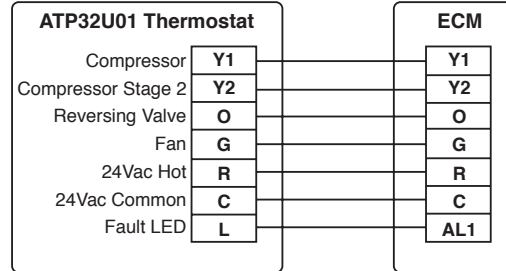
Single stage unit with PSC or belt drive fan motor

ATP32U01

Three Heat / Two Cool
Auto / Manual Changeover
Programmable (7 Day)

Units With ECM Fan

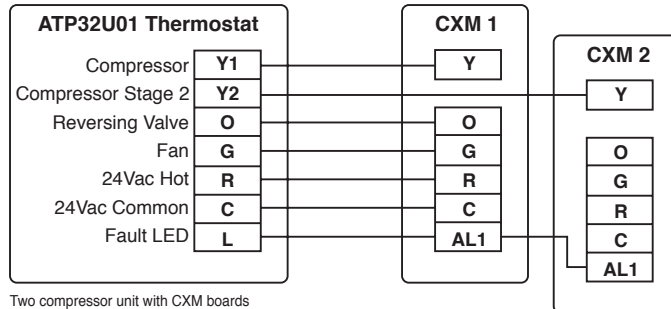
Connection to ECM Control



Units with CXM or DXM board and ECM fan motor

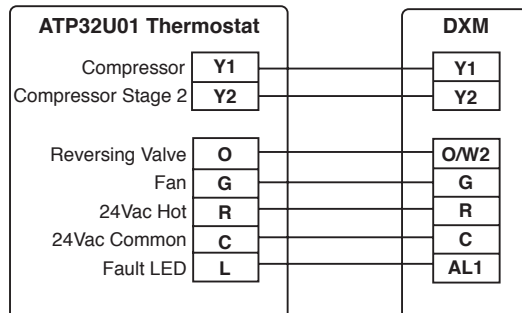
Two Stage Units

Connection to CXM Control



Two compressor unit with CXM boards

Connection to DXM Control



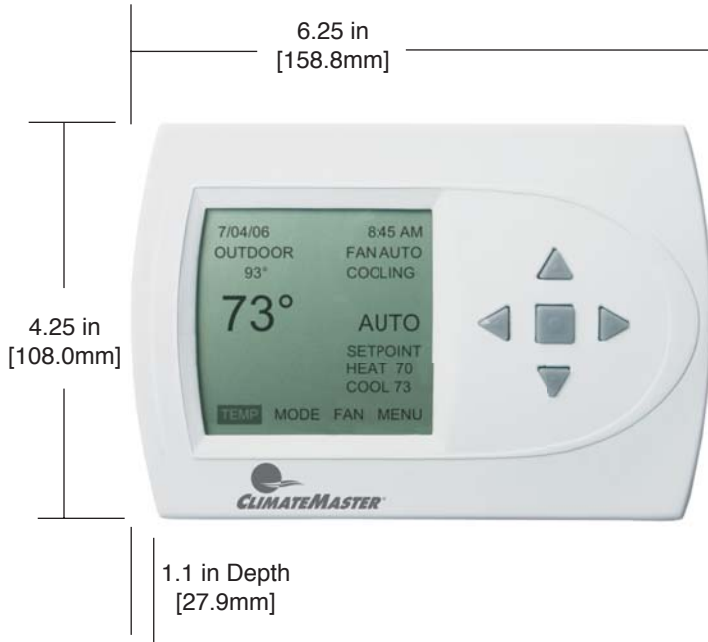
Two compressor unit with DXM boards

ClimateMaster works continually to improve its products. As a result, the design and specifications of each product at the time of order may be changed without notice and may not be as described herein. Please contact ClimateMaster's Customer Service Department at 1-405-745-6000 for specific information on the current design and specifications. Statements and other information contained herein are not express warranties and do not form the basis of any bargain between the parties, but are merely ClimateMaster's opinion or commendation of its products. The latest version of this document is available at www.climatemaster.com.



ATP32U02

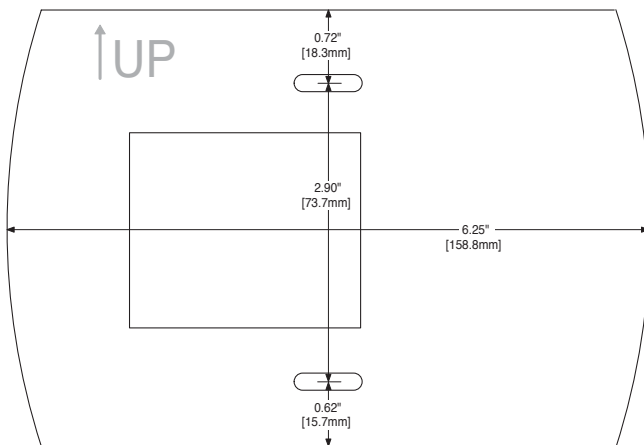
Three Heat / Two Cool
Auto / Manual Changeover
Programmable (7 Day)
With Dehumidification



Features (cont.):

- Thermostat can be programmed to use humidification output to control a humidifier.
- Four periods per day.
- °F or °C temperature display.
- 12 or 24 hour clock.
- Individual heat and cool set points.
- Zero temperature droop performance.
- Automatic (program mode) or manual (HOLD) operation.
- Convenient overrides allow temporary set point changes.
- Set points are permanently held in memory (no batteries used) and retained during power outages.
- Room temperature offset adjustment.
- Progressive Recovery anticipates the time required to bring the space temperature to the next programmed event, and brings on the heat pump accordingly.
- Large backlit dot matrix display is activated whenever a key is pressed and remains on for 25 seconds.
- Menu-driven programming with five navigation buttons (UP/DOWN/LEFT/RIGHT/SELECT) for ease of use.
- Fault indication with red backlight display.
- Configurable service interval messages and servicing contractor contact information.
- Keypad lockout.
- Back-plate wiring connections for easy installation.
- Exclusive fault identification (When used with CXM or DXM) displays fault from CXM/DXM board (e.g. condensate overflow) and suggests possible causes.
- Compatible with AST008 sensor for use as remote and/or outdoor sensor.
- Automatic fan staging (when used with DXM board and direct drive motor).

Mounting:



Application:

The ATP32U02 Thermostat provides 3 stages heating, 2 stages of cooling, and programmable temperature/humidity control of 24V water-source heat pump equipment.

Features:

- 7-day programming.
- Dehumidification output is designed to work with ClimaDry Modulating Reheat option or with ECM fan motor dehumidification mode.
- Integrated control of both temperature and relative humidity.
- Integrated control eliminates separate thermostat and dehumidistat/humidistat.

Specifications:

Electrical Rating:

- Input Power: 18 to 30 VAC, 50/60 Hz.

Operating Conditions:

- 32°F to 104°F [0°C to 40°C].
- 10% to 95% non-condensing.

Temperature Settings:

- Set point range: 40°F to 90°F [4°C to 32°C], +/- 2°F [1°C].
- Dehumidification set point range: 15% to 95% RH.
- Humidification set point range: 10% to 45% RH.

Output Ratings:

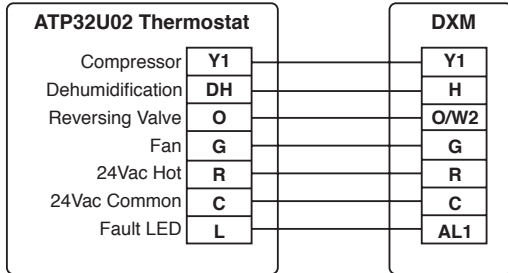
- Maximum current for each output is 1.0 Amp (2.0 max. output total).



Wiring:

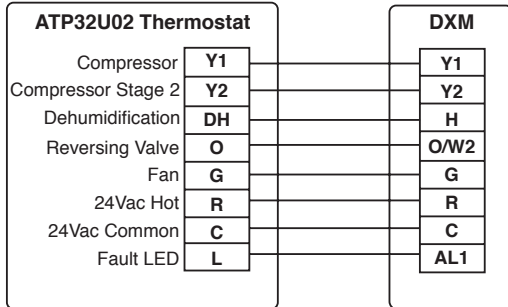
Units with ClimaDry™ Reheat

Connection to DXM Control



Single stage unit with ClimaDry Modulating Reheat Option and DXM board (PSC or belt drive fan motor)

Connection to DXM Control



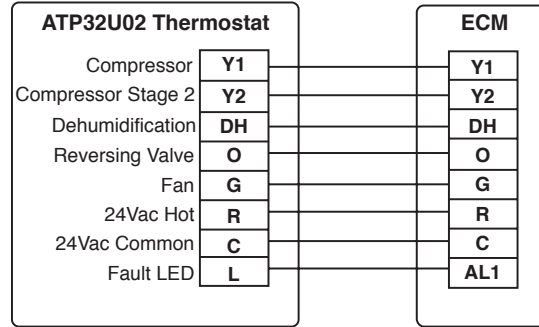
Two compressor unit with ClimaDry Modulating Reheat Option and DXM board

ATP32U02

Three Heat / Two Cool
Auto / Manual Changeover
Programmable (7 Day)
With Dehumidification

Units with ECM Fan

Connection to ECM Control



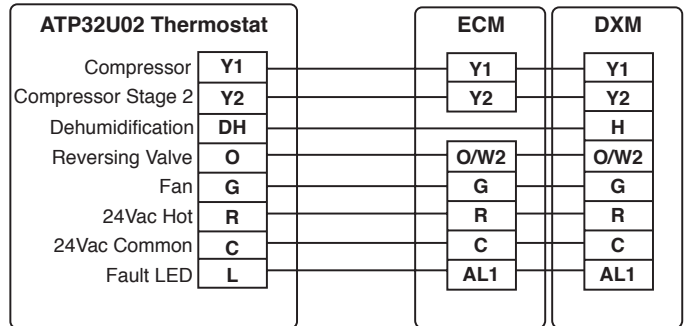
Units with CXM or DXM board and ECM fan motor, utilizing ECM dehumidification mode (w/o ClimaDry option)

Notes:

- 1) ECM dehumidification mode slows down fan speed in the cooling mode when dehumidification output from thermostat is active. Normal heating and cooling fan speeds are not affected.
- 2) ECM board DIP switch SW9 must be in dehumid. mode.

Units with ClimaDry™ Reheat & ECM Fan

Connection to ECM & DXM Control



Single or two-stage unit with ClimaDry Modulating Reheat Option and DXM board (ECM fan motor)

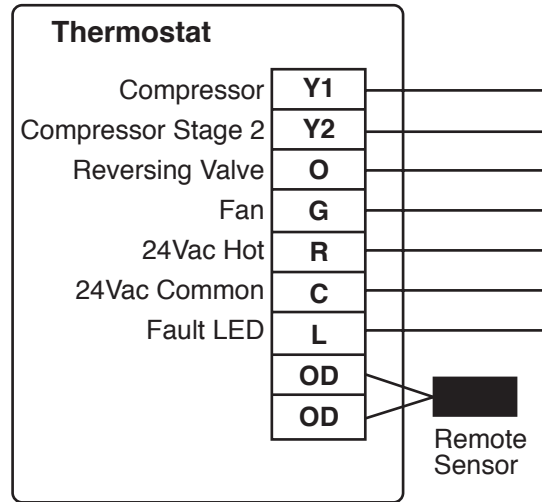


AST008

Remote/Outdoor Temperature Sensor



Wiring:



Application:

The AST008 sensor is a 10kΩ thermistor, used as an accessory for thermostat models ATP32U01 and ATP32U02. This sensor provides outdoor air temperature information for the control system, as well as an indication of outdoor temperature on the display screen. The AST008 sensor can also be used as a remote indoor sensor. Two sensors may be used--one for remote indoor temperature sensing, and one for outdoor temperature sensing. When the sensor is used as a remote indoor temperature sensor, the internal sensor of the thermostat becomes inactive.

Features:

- Designed for indoor or outdoor installation.
- May be used as indoor remote temperature sensor or as outdoor temperature sensor.

Specifications:

- 10kΩ thermistor
- Two-wire connection to thermostat, extendable with two-conductor 22 AWG thermostat wire

Thermostat Submittal Data Eng/I-P



Submittal Change Log

| Date: | Item: | Action: |
|----------|-----------------|------------------------------------|
| 03/31/03 | AST008 | Added AST008 outdoor/remote sensor |
| 02/23/06 | First Published | |